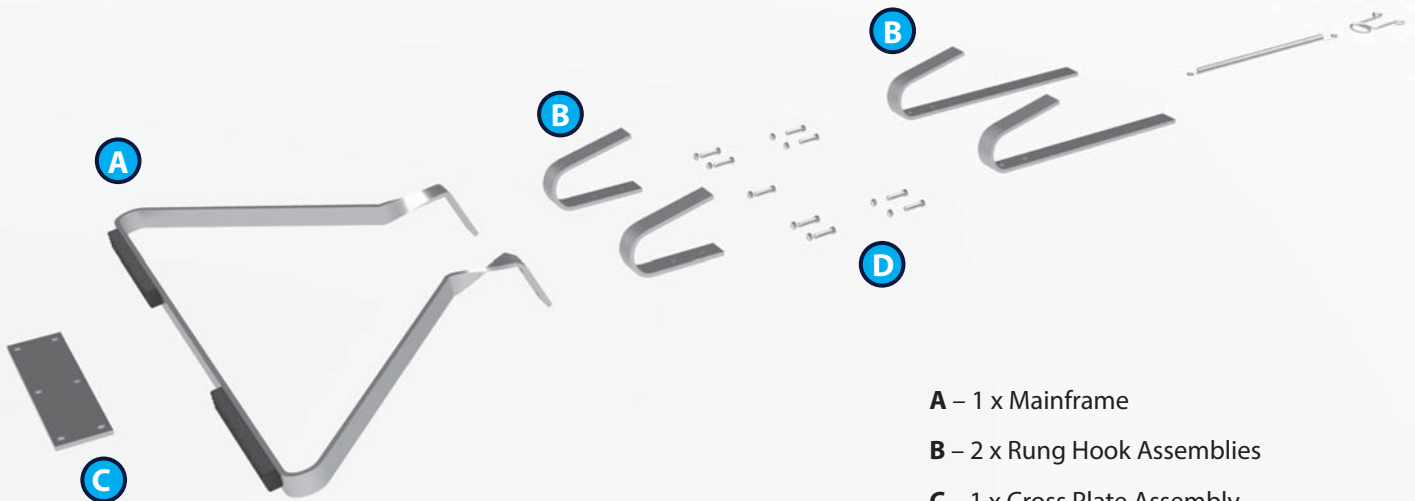


# LYTE LADDER STAY

ASSEMBLY GUIDE

**LYTE**  
LADDERS | TOWERS

Before assembly please make sure all the component parts are included, as stated below:

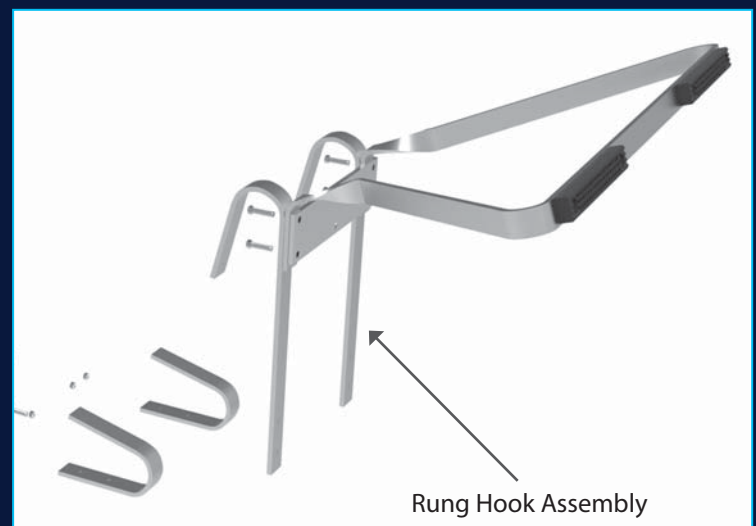
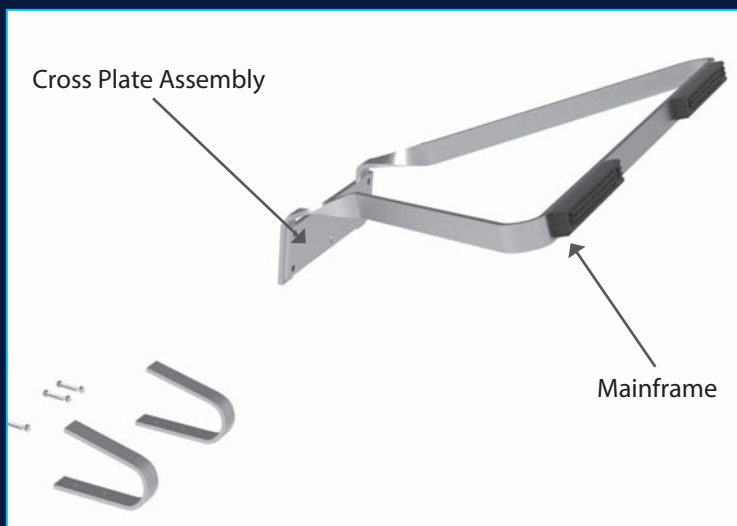


- A** – 1 x Mainframe
- B** – 2 x Rung Hook Assemblies
- C** – 1 x Cross Plate Assembly
- D** – 1 x Pack Containing 4 M6 locknuts & bolts

Please note that 2 M6 spanners are required for assembly as these are not included.

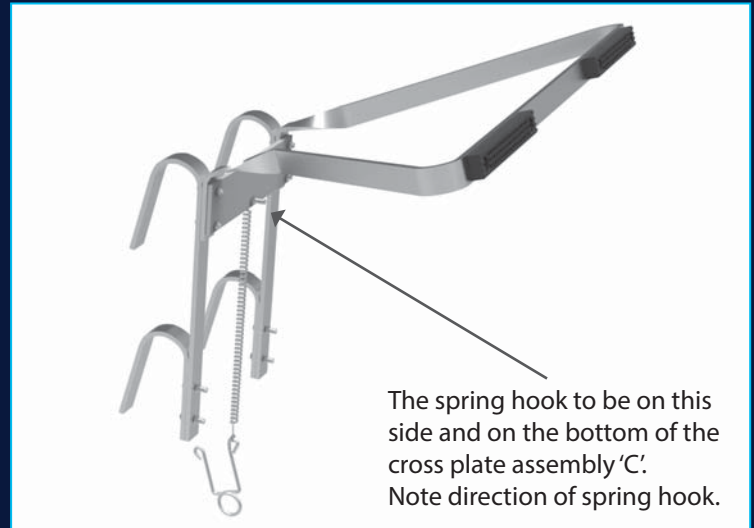
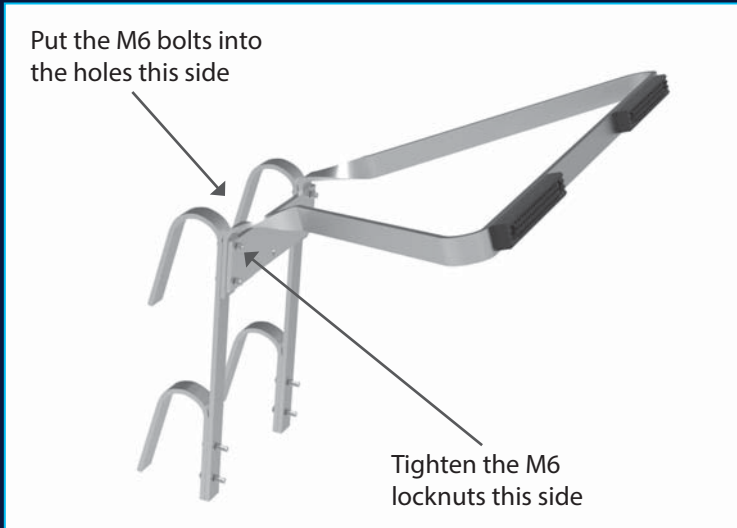
## STEP ONE

Bolt the unit together, sandwiching the mainframe between the rung hook assembly and the cross plate.



## STEP TWO

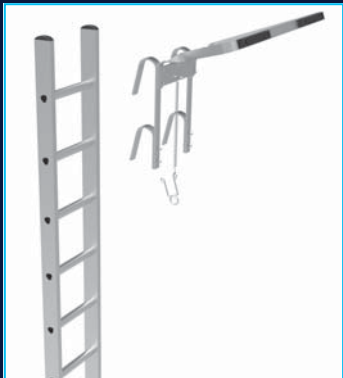
Using the bolts and nuts provided follow the diagrams below.



## FITTING THE LADDER STAY TO A LADDER

The standoff should be fitted near to the top of the ladder, ensuring all four rung hooks engage with the ladder rungs.

Pull the spring hook down, against the spring pressure and locate on a rung to secure the stay to the ladder.



Due to the Ladder Stay being designed for universal use with various different rung measurements, the bottom hooks do not sit directly on the rungs.

# LYTE

## LADDERS | TOWERS

[www.lyteladders.co.uk](http://www.lyteladders.co.uk)